

# Technical data sheet



## Product features

### Tilting bratt pan manual electric 80 l steel compound bottom

|              |                 |          |
|--------------|-----------------|----------|
| <b>Model</b> | <b>SAP Code</b> | 00012289 |
|--------------|-----------------|----------|



- Bottom material: Steel
- Bottom thickness: 12.00
- Basin volume [l]: 80
- Usable volume [l]: 80
- Tilting: Manual
- Filling: Mechanical cock
- Type of pan: Tiltting
- Basin shape: Practically shaped bathtub spout to minimize spillage
- Protection of controls: IPX4

|                            |          |                          |                    |
|----------------------------|----------|--------------------------|--------------------|
| <b>SAP Code</b>            | 00012289 | <b>Loading</b>           | 400 V / 3N - 50 Hz |
| <b>Net Width [mm]</b>      | 800      | <b>Bottom material</b>   | Steel              |
| <b>Net Depth [mm]</b>      | 900      | <b>Basin volume [l]</b>  | 80                 |
| <b>Net Height [mm]</b>     | 900      | <b>Usable volume [l]</b> | 80                 |
| <b>Net Weight [kg]</b>     | 162.00   | <b>Tilting</b>           | Manual             |
| <b>Power electric [kW]</b> | 15.000   |                          |                    |

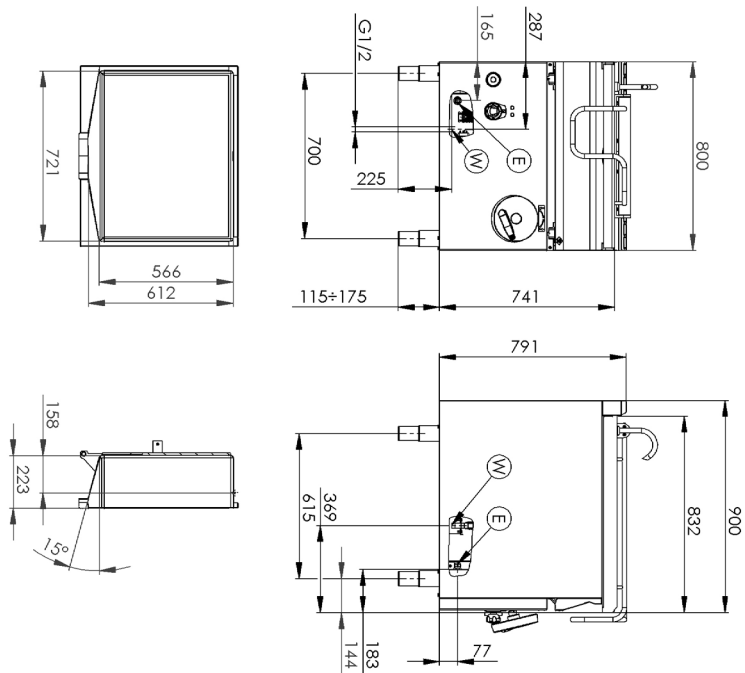
# Technical data sheet



Technical drawing

## Tilting bratt pan manual electric 80 l steel compound bottom

| Model | SAP Code | 00012289 |
|-------|----------|----------|
|-------|----------|----------|



### Tilting bratt pan manual electric 80 l steel compound bottom

|              |                 |          |
|--------------|-----------------|----------|
| <b>Model</b> | <b>SAP Code</b> | 00012289 |
|--------------|-----------------|----------|

# 1

#### Manual folding system

maintenance-free system  
equipped with a spring for convenient tilting  
long life

- savings on service interventions
- easy cleaning and maintenance of equipment

# 2

#### Degree of protection of the control elements IPX4

maintenance-free system  
resistance to splash water  
long life

- savings on service interventions
- easy cleaning and maintenance of equipment

# 3

#### Stainless steel bathtub

the material does not cut  
wear resistance of the material  
long life

- savings on service interventions
- easy cleaning and maintenance of equipment

# 4

#### Efficient distribution of heating elements

perfect heat distribution including corners  
fast heating

- saving time when cooking
- saving energy
- long service life

# Technical data sheet



## Technical parameters

### Tilting bratt pan manual electric 80 l steel compound bottom

|              |                 |          |
|--------------|-----------------|----------|
| <b>Model</b> | <b>SAP Code</b> | 00012289 |
|--------------|-----------------|----------|

**1. SAP Code:**

00012289

**2. Net Width [mm]:**

800

**3. Net Depth [mm]:**

900

**4. Net Height [mm]:**

900

**5. Net Weight [kg]:**

162.00

**6. Gross Width [mm]:**

970

**7. Gross depth [mm]:**

840

**8. Gross Height [mm]:**

1160

**9. Gross Weight [kg]:**

182.00

**10. Device type:**

Electric unit

**11. Construction type of device:**

With substructure

**12. Power electric [kW]:**

15.000

**13. Loading:**

400 V / 3N - 50 Hz

**14. Protection of controls:**

IPX4

**15. Material:**

AISI 304 top plate, AISI 430 cladding

**16. Indicators:**

operation and warm-up

**17. Worktop material:**

AISI 304

**18. Device heating type:**

Indirect

**19. Basin volume [l]:**

80

**20. Maximum device temperature [°C]:**

300

**21. Minimum device temperature [°C]:**

50

**22. Adjustable feet:**

Yes

**23. Tilting:**

Manual

**24. Bottom thickness:**

12.00

**25. Bottom material:**

Steel

**26. Type of pan:**

Tilting

**27. Usable volume [l]:**

80

**28. Filling:**

Mechanical cock

# Technical data sheet



Technical parameters

## Tilting bratt pan manual electric 80 l steel compound bottom

**Model**

**SAP Code**

00012289

### 29. Basin shape:

Practically shaped bathtub spout to minimize spillage

### 31. Cross-section of conductors CU [mm<sup>2</sup>]:

4

– Výkon (kW): 30-37 (230 V); 53-64 (400 V)

### 30. Water filling type:

Cold

### 32. Water supply connection:

1/2"